

LiberoPro

Flat Induction, mono zone, drop in, 3Phase

ITEM # _____

MODEL # _____

NAME # _____

SIS # _____

AIA # _____


600882 (EIHDDOMCT)

 Plug-in Induction Mono
 Zone Cook Top, drop-in - 3-
 phase

Short Form Specification

Item No.

Plug-in 3 Phases induction mono zone cooktop designed for drop-in installation, entirely constructed in AISI 304 stainless steel. Sealed heavy duty glass-ceramic cooking surface, 4 mm in thickness. Glass touch display on top for maximum visibility with power settings and timer. 2-color user interface (white and red) for better readability. Lock function stops your settings to be accidentally modified during working. Hot surface warning to prevent injuries. Automatic pan recognition and rapid heat transfer directly to the pan. Suitable for pots and pans with diameter from 120 mm to 340 mm. Cord and plug included. IPx4 water protection.

Main Features

- Plug in unit designed for drop in installations.
- 2-color user interface (white and red) for better readability.
- Rapid heat transfer directly to the pan, no heat is dispersed into the environment.
- Automatic pan detection to transfer power only when pan is present.
- Glass touch display on top for maximum visibility.
- Power level settings from 1 to 10.
- Timer function can be used to set the cooking time, switching off the zone automatically at the end of the time set.
- Suitable for pot and pan with diameter from 120 mm to 340mm.
- Self-diagnostics: an error code is displayed (Exxx) in case of dysfunction.
- Sealed heavy duty glass-ceramic cooking surface, 4 mm in thickness.

Construction

- Heavy duty AISI 304 Stainless steel construction.
- Cord and plug included.
- IPx4 water protection.

Sustainability

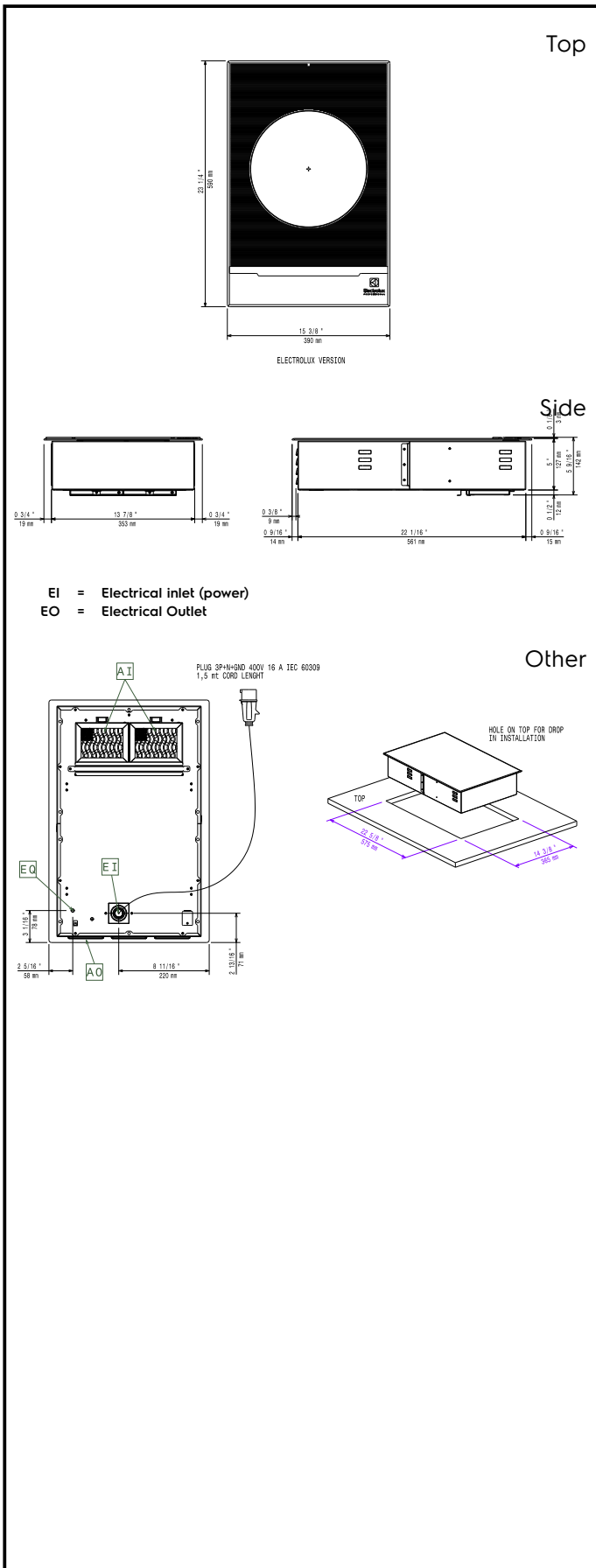


- This model is compliant with Swiss Energy Efficiency Ordinance (730.02).

Optional Accessories

- Kit ventilation including air conveyor for Drop-in functions PNC 650146
- Kit fixation including sponge gasket and kit assembly for Drop-in functions PNC 650147
- Stainless steel universal frying pan with stainless steel handle (diam. 200mm) suitable for induction and all other heating sources PNC 653596
- Universal frying pan with stainless steel handle (diam. 240mm) suitable for induction and all other heating sources PNC 653597
- Universal frying pan with stainless steel handle (diam. 280mm) suitable for induction and all other heating sources PNC 653598
- Universal frying pan with ribbed plate suitable for induction cookers PNC 653618

APPROVAL: _____



Electric

Supply voltage:	
600882 (E1HDDOMCT)	380-415 V/3 ph/50-60 Hz
Total Watts:	5 kW
Plug type:	IEC/EN 60309-1/2
Minimum Circuit Ampacity (MCA):	16A

Key Information:

External dimensions, Width:	392 mm
External dimensions, Depth:	592 mm
External dimensions, Height:	127 mm
Net weight:	14 kg